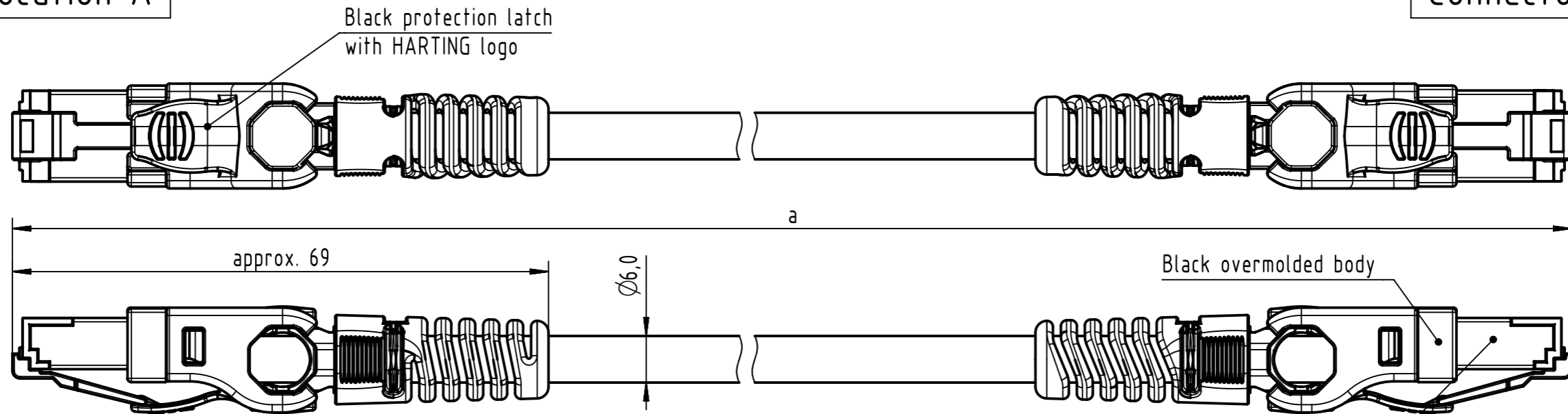


Connector Location A

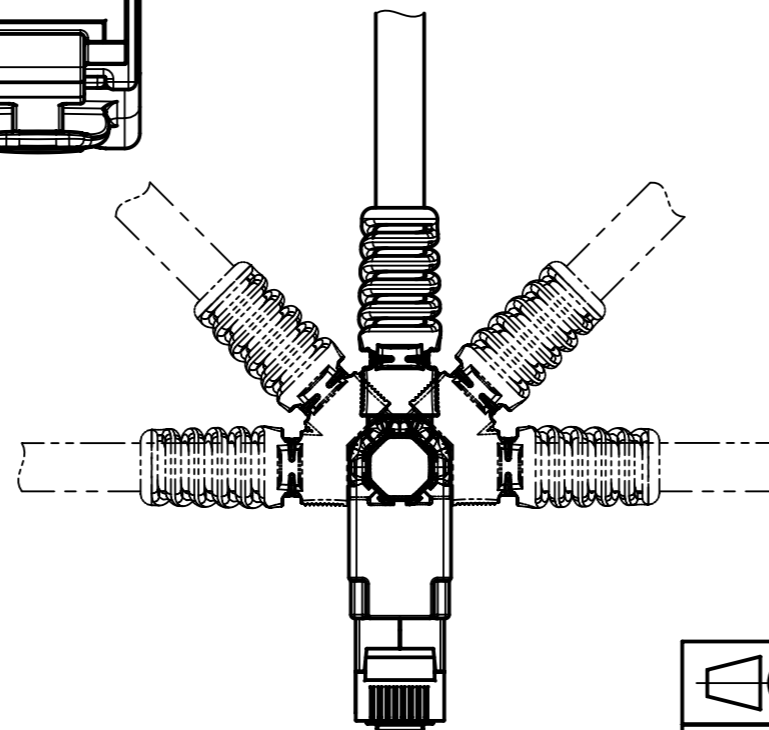
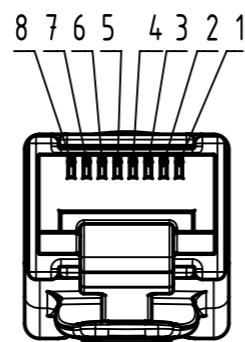
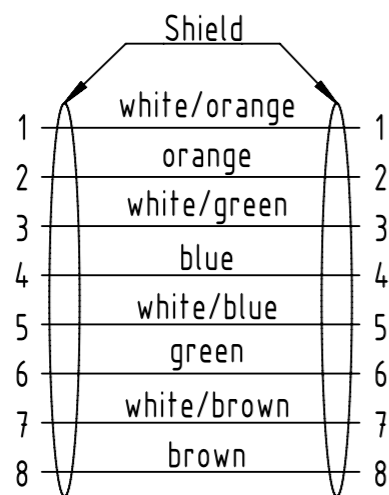
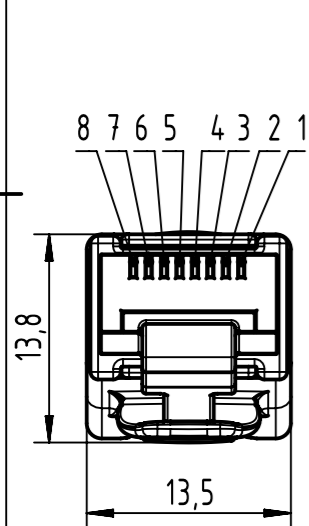
Connector Location B



X male

Loading Plan acc. to TIA/EIA 568B

Y male



IP20 RJ45 VarioBoot Cat. 6A, preferred direction LEFT and RIGHT

length in "1m" step	45	XXX=450
	44	XXX=440
	12	XXX=120
	11	XXX=110
length in "0.1m" step	10	XXX=100
	9.9	XXX=099
	9.8	XXX=098
	0.5	XXX=005
	0.4	XXX=004
	0.3	XXX=003
0.2	XXX=002	
Step	a [m]	XXX

6.0 to 45	±1%
0.6 to 5.9	+0.04
0.2 to 0.5	+0.02
a [m]	Tolerance

Temperature range:
 - Fixed installation: -20°C ... +60°C
 - Dynamic installation: 0°C ... +50°C

NOTE:
 - Direction of the cable outlet can be changed up to 20x
 - Mating face RJ45 acc. to IEC 60603-7 for both connectors

For lengths < 1.0m:
 - relative positioning of the connectors to each other will be as presented in the drawing, however with an admissible angular deviation around cable axis of ± 30°

For lengths ≥ 1.0m:
 -relative positioning of the connectors to each other not obligatory

Cat. 7 FRNC Ethernet Cable, AWG 26/7, S/FTP, red	09488585586XXX
Type of cable	Part no.

All rights reserved Department HCS - RO HARTING Customised Solutions D-32339 Espelkamp	All Dimensions in mm Tech. Character. Free size tol. According to production drawing	Created by 402990 Costa Inspected by COSTEA Costa Standardisation MUNTEANV Muntean Date 2020-11-26 State Final Release	Doc-Key / ECM-Nr. 100834019/UGD/000/C 500000183442 Rev. C Page 1/1
	Title VB RJ45 LaR - VB RJ45 LaR Cat.6A FRNC red Type TB Number 09488585586XXX		